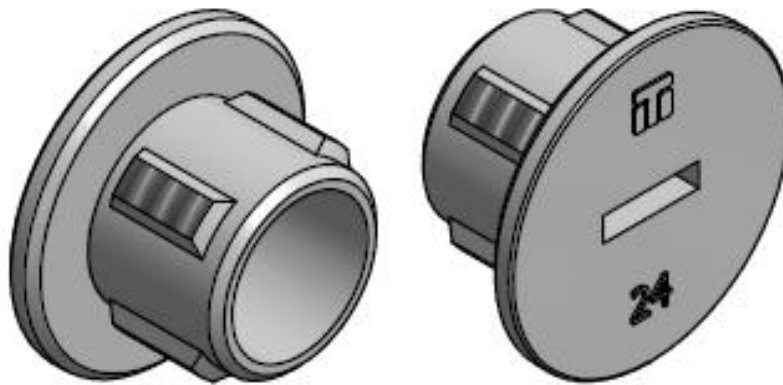


COMMERCIAL DOCUMENTATION

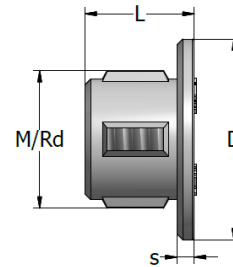
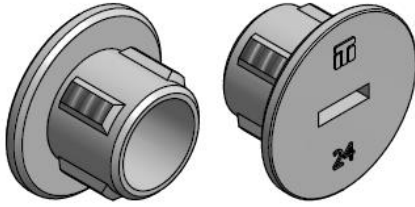


1D-HD - LIFTING SYSTEMS | **TPP PLASTIC PLUG**

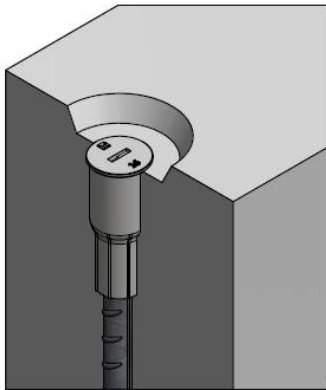


PLASTIC PLUG - TPP

Plastic plugs are used to cover the bushes and to protect the sockets from rust and/or dirt. They are available in light grey (RAL 7035) and red (RAL 3020) and can be left in the concrete element after installation for a finished look or easily spotted to be removed.



PLASTIC PLUG	Product no.	Product no.	Thread	Diam. D	L	s
	(grey, RAL 7035)	(red, RAL 3020)	M/Rd	[mm]	[mm]	[mm]
TPP -M/Rd12	62768	65616	12	17.5	10	2
TPP -M/Rd16	62769	65617	16	22	12.5	2
TPP -M/Rd20	62770	65618	20	28	15	3
TPP -M/Rd24	62771	65619	24	34	18	3
TPP -M/Rd30	62772	65620	30	42.5	21	3
TPP -M/Rd36	62773	65621	36	50	23	3
TPP -M/Rd42	62774	65622	42	56	27.5	3
TPP -M/Rd52	62775	65623	52	69	29	3



After removing the KU Nailing plate, mount the plastic plug inside the socket.

It can also be used to protect the socket anchor's thread before installation, thereby preventing dirt from getting into the anchor's thread zone.

CONTACT

TERWA is the global supplier for precast and construction solutions with multiple offices around the world. With all our staff, partners and agents, we are happy to provide all construction and precast companies who work in the building industry with full service and 100% support.

TERWA CONSTRUCTION GROUP**Terwa Construction Netherlands (HQ)**

Global Sales & Distribution
Kamerlingh Onneslaan 1-3
3401 MZ IJsselstein
The Netherlands
T +31-(0)30 699 13 29
F +31-(0)30 220 10 77
E info@terwa.com

Terwa Construction Central East Europe

Sales & Distribution
Strada Sânzieni
507075 Ghimbav
Romania
T +40 372 611 576
E info@terwa.com

Terwa Construction Poland

Sales & Distribution
Ul. Cicha 5 lok. 4
00-353 Warszawa
Poland
E info@terwa.com

Terwa Construction India & Middle East

Sales & Distribution
India
T +91 89 687 000 41
E info@terwa.com

Terwa Construction China

Sales & distribution
5F 504, No. 101 Chuanchang road
PRC, 200032, Shanghai
China
E info@terwa.com

ALL SPECIFICATIONS CAN BE CHANGED WITHOUT PREVIOUS NOTICE.

DISCLAIMER

Terwa B.V. is not liable for deviations due to wear of the products it has delivered. Neither is Terwa B.V. liable for damage due to inaccurate and/or improper handling and use of the products it has delivered and/or use of same for purposes other than those intended.

Terwa B.V.'s responsibility is furthermore limited in accordance with article 13 of the "Metaalunie" conditions, which are applicable for all Terwa B.V. deliveries. The user is responsible for ensuring compliance with all applicable copyright laws. Without limiting the rights under copyright, no part of this documentation may be reproduced, stored in or introduced into a retrieval system, or transmitted in any form or by any means (electronic, mechanical, photocopying, recording, or otherwise), or for any purpose, without the express written permission of Terwa B.V.